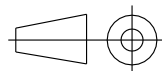
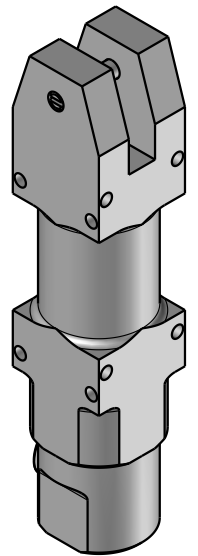
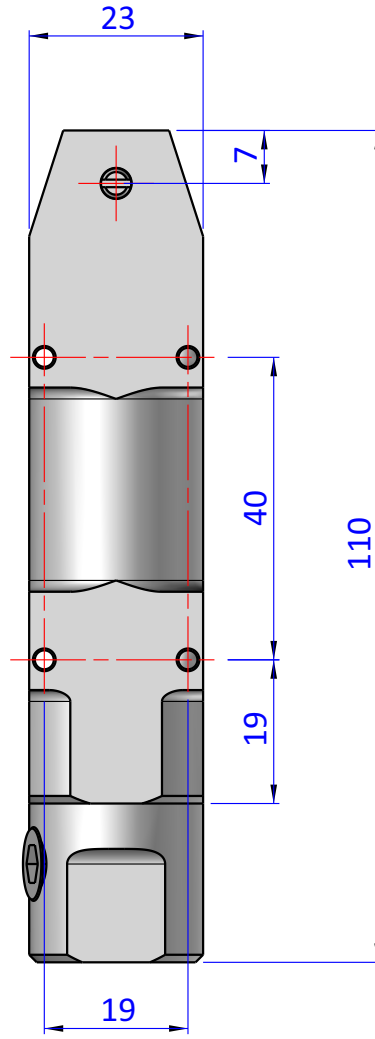
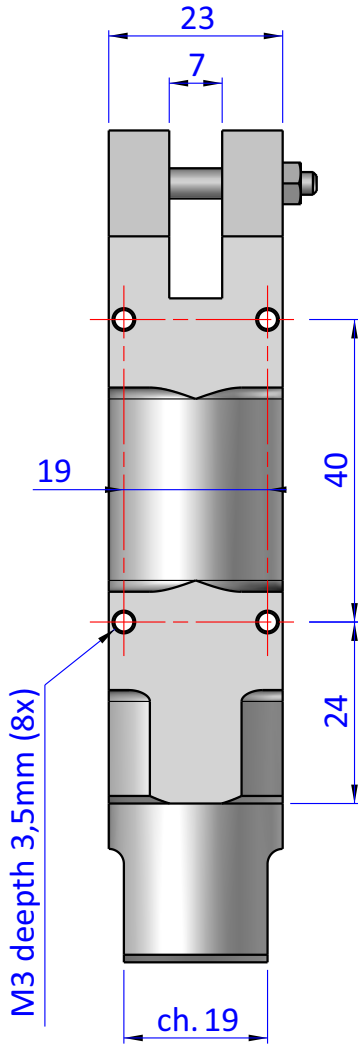
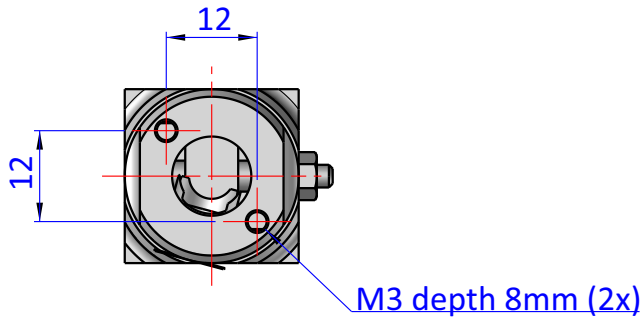


THE PROPERTY OF THE DRAWING IS ESTABLISHED BY LAW. IT IS FORBIDDEN TO PRODUCE OR SHOW IT TO THIRD PART. WITHOUT A WRITTEN AGREEMENT.



DESIGNED FROM
FPS Automation

REVIEW
A

DATE
03/11/2020

WEIGHT
0,095kg

Format **A4**

UNI 936-76

GENERAL TOLERANCE
UNI - ISO 2768
CLASSE f

DESCRIPTION

VES.GTNS3

CODE
VES.GTNS3